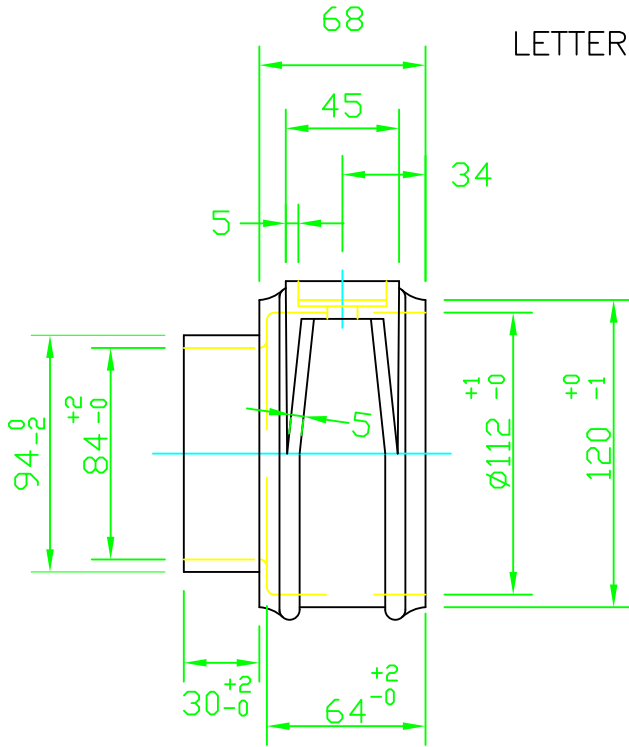
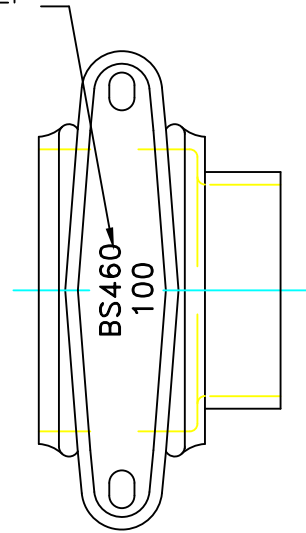


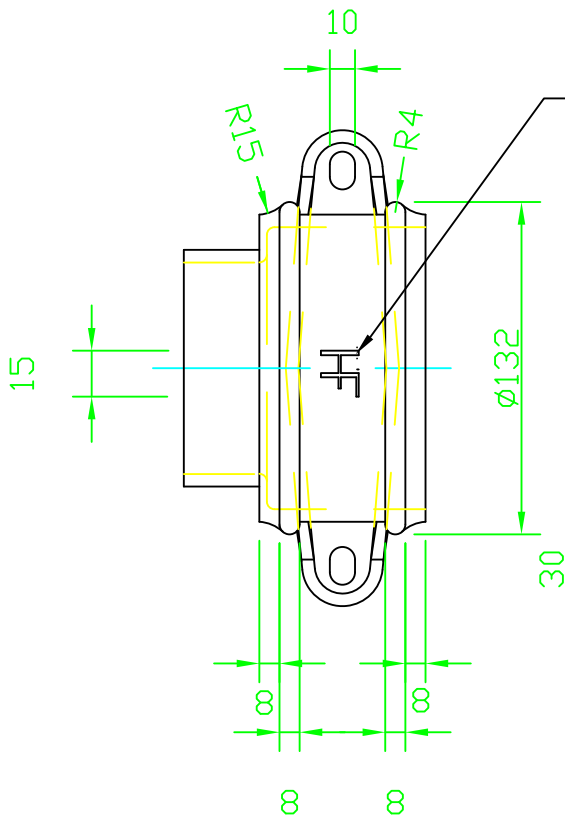
UNCONTROLLED COPY



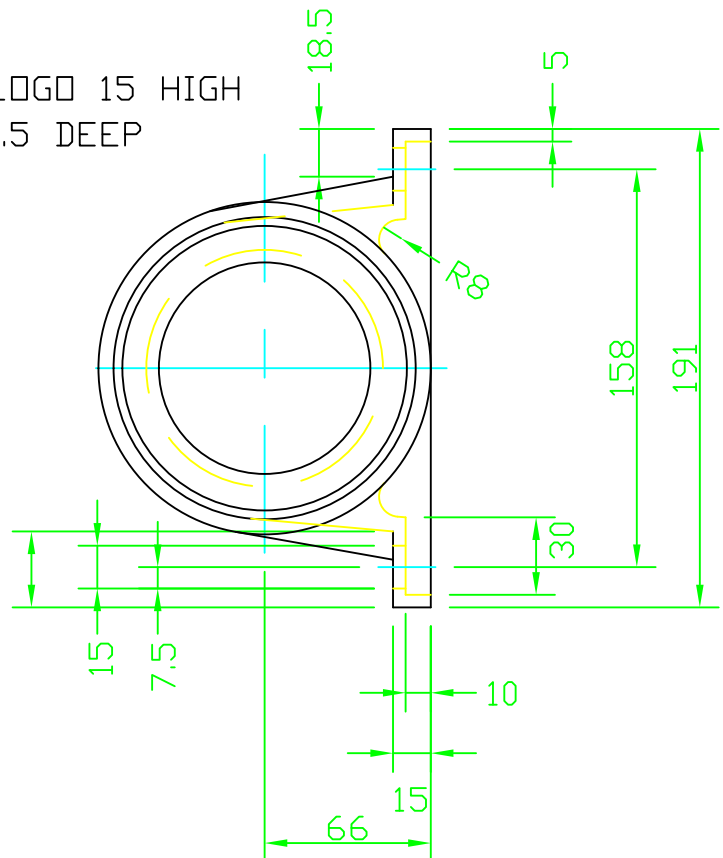
LETTERING 1.5 DEEP



VIEW ON UNDERSIDE



LOGO 15 HIGH  
1.5 DEEP



**Copyright and Design right**

This confidential drawing is the sole property of Hargreaves Foundry Group Companies and must not be reproduced or distributed to any third party without written permission. It must only be used for the purpose for which it has been issued and may be withdrawn upon request. The validity of the drawing is only guaranteed at the time of issue and is subject to change without notice.

ALL DIMS IN mm

WATER LANE  
SOUTH PARADE  
HALIFAX  
WEST YORKSHIRE  
HX3 9HG



TEL: (44) 01422 330607  
FAX: (44) 01422 320349  
E-MAIL [Info@hargreavesfoundry.co.uk](mailto:Info@hargreavesfoundry.co.uk)

TITLE 4" End Loose Socket With Spigot		
MATERIAL BSEN 1561 Grade:-EN-GJL-150		
SCALE 1:3 A4	DRAWN PRDS	CHECKED L.Gill
DATE 30.08.18	REF No R4050SE	REV. 0
DWG No R4050SE		